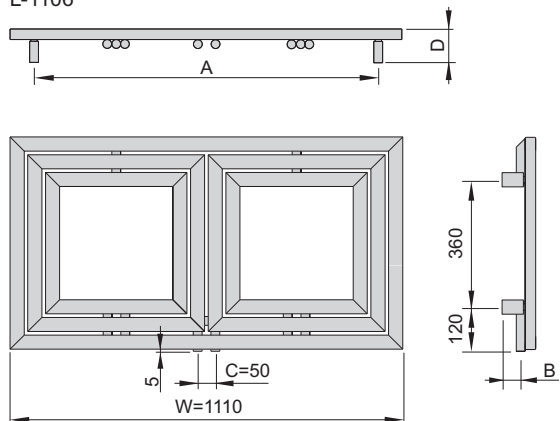
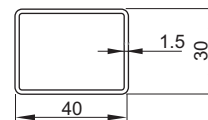


Type	Width [mm]	Height [mm]	Depth from wall [mm]	Connections spacing [mm]	Connections distance from the wall [mm]	Brackets spacing [mm]	Heating surface [m ²]	Weight [kg]	Capacity [dm ³]	Power ΔT=50K (75/65/20 °C) [W]	Power ΔT=46K (75/65/24 °C) [W]	Power ΔT=30K (55/45/20 °C) [W]	Electric heater maximum power [W]
	W	H	D	C	B	A							
L00060006001410E1000	600	600	90-95	50	45-50	560	0,75	9,2	5,5	312	281	166	-
L00060011101410E1000	600	1110	90-95	50	45-50	560	1,34	16,1	9,8	556	502	296	-
L00060016201410E1000	600	1620	90-95	50	45-50	560	1,78	21,3	13,1	741	669	395	-
L00111006001410E1000	1110	600	90-95	50	45-50	970	1,35	17,0	9,9	560	505	298	-
L00162006001410E1000	1620	600	90-95	50	45-50	1480	1,80	24,2	13,2	749	676	399	-

L-1106



Circuital profile:



Finishing and warranty:

Electrophoresis + polyester-epoxy lacquer
5 year warranty;

Mounting brackets:

brackets in the colour of the radiator
are included

Valve:

order separately

Heater:

-

Working pressure:

10 bars

Maximum temperature:

120 °C

Connections:



inner threads G 1/2
air-vent plug G1/8
hidden behind

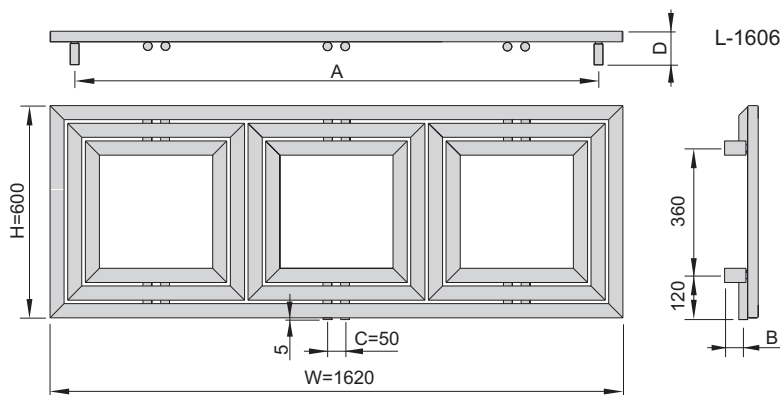
Accessories:

order separately

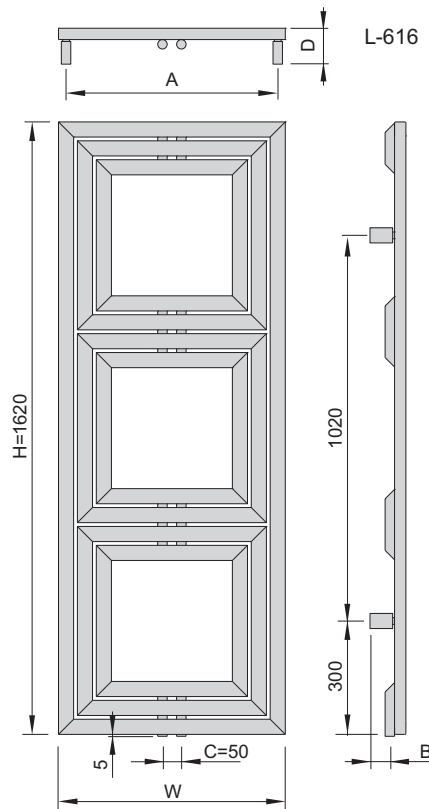
Remarks:

Water inlet on the left side

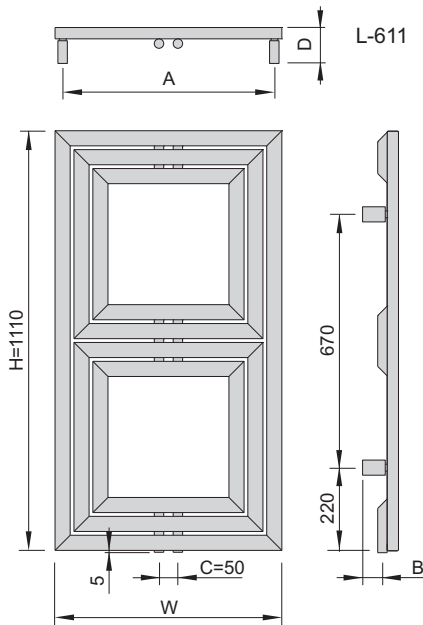
L-1606



L-616



L-611



L-606

