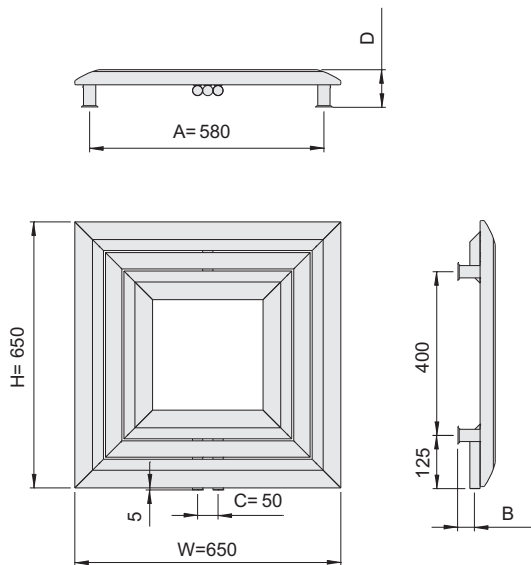


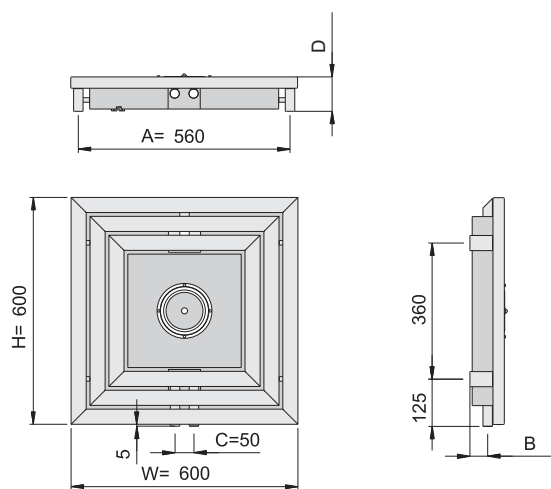
Type	Width [mm]	Height [mm]	Depth from wall [mm]	Connections spacing [mm]	Connections distance from the wall [mm]	Brackets spacing [mm]	Heating surface [m <sup>2</sup> ]	Weight [kg]	Capacity [dm <sup>3</sup> ]	Power ΔT=50K (75/65/20 °C) [W]	Power ΔT=46K (75/65/24 °C) [W]	Power ΔT=30K (55/45/20 °C) [W]	Electric heater maximum power [W]
	W	H	D	C	B	A							
LS006500650021031000	650	650	97-102	50	46-51	573	0,85	14,1	6,7	380	343	202	-



Circuitral profile:	
Finishing and warranty:	Electrophoresis + polyester-epoxy lacquer 5 year warranty;
Mounting brackets:	brackets in the colour of the radiator are included
Valve:	order separately
Heater:	-
Working pressure:	4 bars
Maximum temperature:	120 °C
Connections:	inner threads G 1/2 air-vent plug G1/8 hidden behind
Remarks:	Water inlet on the left side

LIBRA AUDIO LA

Type	Width [mm]	Height [mm]	Depth from wall [mm]	Connections spacing [mm]	Connections distance from the wall [mm]	Brackets spacing [mm]	Heating surface [m <sup>2</sup> ]	Weight [kg]	Capacity [dm <sup>3</sup> ]	Power ΔT=50K (75/65/20 °C) [W]	Power ΔT=46K (75/65/24 °C) [W]	Power ΔT=30K (55/45/20 °C) [W]	Electric heater maximum power [W]
	W	H	D	C	B	A							
LA0060006001410E1000	600	600	90-95	50	45-50	560	0,75	9,2	5,5	312	282	166	-



Circuitral profile:	
Finishing and warranty:	Electrophoresis + polyester-epoxy lacquer 5 year warranty;
Mounting brackets:	brackets in the colour of the radiator are included
Valve:	order separately
Heater:	-
Working pressure:	10 bars
Maximal temperature:	75 °C
Connections:	inner threads G 1/2 air-vent plug G1/8 hidden behind
Remarks:	Water inlet on the left side

Speaker specifications:

Typ	Bandwidth	Sensitivity	Power	Impedance
LA-606	[65Hz-25kHz]	[85 dB]	[40W]	[8Ω]

Finishing and warranty:	Cover made of MDF 2 year warranty;
Speaker:	Fountek broadband transducer

