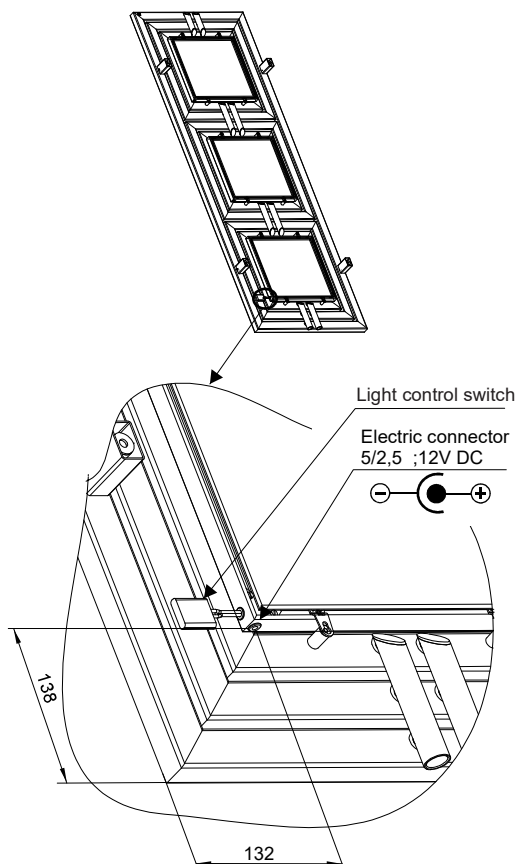


Type	Width [mm]	Height [mm]	Depth from wall [mm]	Connections spacing [mm]	Connections distance from the wall [mm]	Brackets spacing [mm]	Heating surface [m ²]	Weight [kg]	Capacity [dm ³]	Power ΔT=50K (75/65/20 °C) [W]	Power ΔT=46K (75/65/24 °C) [W]	Power ΔT=30K (55/45/20 °C) [W]	LED light maximum power [W]
	W	H	D	C	B	A							
LB006000600...	600	600	90-95	50	45-50	560	0,75	13,0	5,5	312	281	166	6,5
LB006001110...	600	1110	90-95	50	45-50	560	1,34	24,0	9,8	556	502	296	13
LB006001620...	600	1620	90-95	50	45-50	560	1,78	34,5	13,1	741	669	395	19,5



RADIATOR	Peripheral tube :	
	Finishing and warranty:	Cataphoresis+epoxy-polyester coating; 10 year warranty
	Mounting brackets:	Wall mounting set; brackets in the color of the radiator
	Valve:	Ordered separately
	Heating element:	-
	Max. operating pressure:	10 bar
	Max. temperature:	75 °C
LIGHT	Connection type:	Internal thread G1/2 Purge valve G1/8 hidden in the back
	Accessories:	Ordered separately
	Comments:	Water inlet on the left
PAINTING	Power supply:	12V DC
	Light source:	Non-replaceable LEDs, 4500K, 20000h
	Electric connector:	Female connector Φ5,5/2,5;
	Light control switch:	Built-in touch switch with dimmer
PAINTING	Comments:	Painted by hand using the BATIK technique, vacuum laminated between Optiwhite™ glass panes
	Comments:	Painting motif selection in acc. with ENIX catalogue

