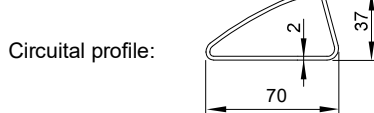
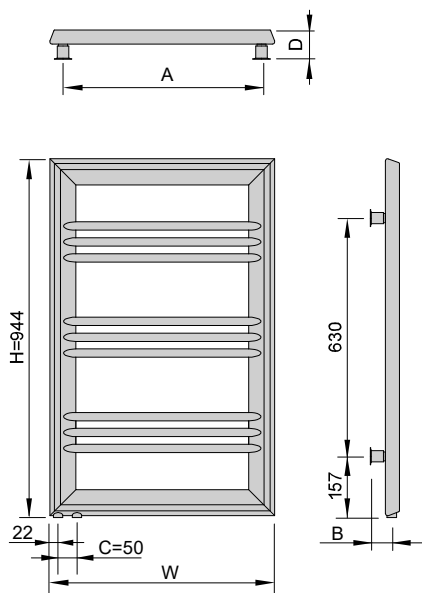



Type	Width [mm]	Height [mm]	Depth from wall [mm]	Connections spacing [mm]	Connections distance from the wall [mm]	Brackets spacing [mm]	Heating surface [m ²]	Weight [kg]	Capacity [dm ³]	Power ΔT=50K (75/65/20 °C) [W]	Power ΔT=46K (75/65/24 °C) [W]	Power ΔT=30K (55/45/20 °C) [W]	Electric heater maximum power [W]
	W	H	D	C	B	A							
RM00595094405A030000	595	944	72-77	50	52-57	525	0,81	10,9	5,4	423	382	227	300

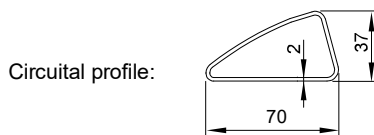
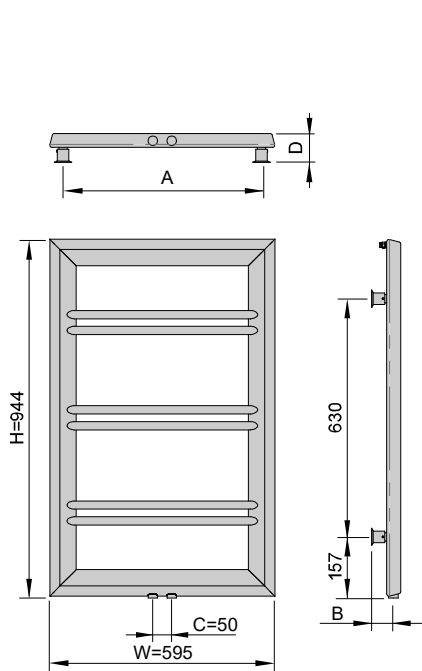


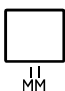
Finishing and warranty:	Nanoceramic (zirconia coating) + polyester-epoxy lacquer; 5 year warranty;
Mounting brackets:	brackets in the colour of the radiator are included
Valve:	order separately
Heater:	order separately
Accessories:	order separately
Working pressure:	4 bars
Maximum temperature:	120 °C
Connections:	 <p>For the position of connections see technical drawings on this page</p> <ul style="list-style-type: none"> - inner threads G 1/2 - connection spacing: MM=50 mm

RAMA CHROM RM

Finish: galvanic chrome

Type	Width [mm]	Height [mm]	Depth [mm]	Connections spacing [mm]	Connections distance from the wall [mm]	Brackets spacing [mm]	Heating surface [m ²]	Weight [kg]	Capacity [dm ³]	Power ΔT=50K (75/65/20 °C) [W]	Power ΔT=46K (75/65/24 °C) [W]	Power ΔT=30K (55/45/20 °C) [W]	Electric heater maximum power [W]
	W	H	D	C	B	A							
RM005950944230030000	595	944	72-77	50	52-57	525	0,71	10,0	4,9	277	201	119	



Finishing and warranty:	galvanic chrome 5 year warranty
Mounting brackets:	brackets in the colour of the radiator are included
Valve:	order separately
Heater:	-
Accessories:	order separately
Working pressure:	4 bars
Maximal temperature:	120 °C
Connections:	 <p>For the position of connections see technical drawings on this page</p> <ul style="list-style-type: none"> - inner threads G 1/2 - connection spacing: MM=50 mm